

Kempower Satellite

Version 2 Eichrecht-certified

The Kempower Satellite DC charging system is the optimal solution for public charging and other sites that need multiple fast charging outputs.

Satellites are connected to the Power Unit or Station Charger. One Power Unit can simultaneously provide energy for up to 8 DC charging outputs with 800 VDC systems and up to 6 outputs with Adaptive Voltage systems covering both 400 and 800 VDC charging.

The maximum available charging power of the system is 600 kW, depending on the Power Unit version. Each output can deliver 400 kW to the charging Satellite.

Kempower Satellite comes with integrated Eichrecht-compliant energy meter(s).

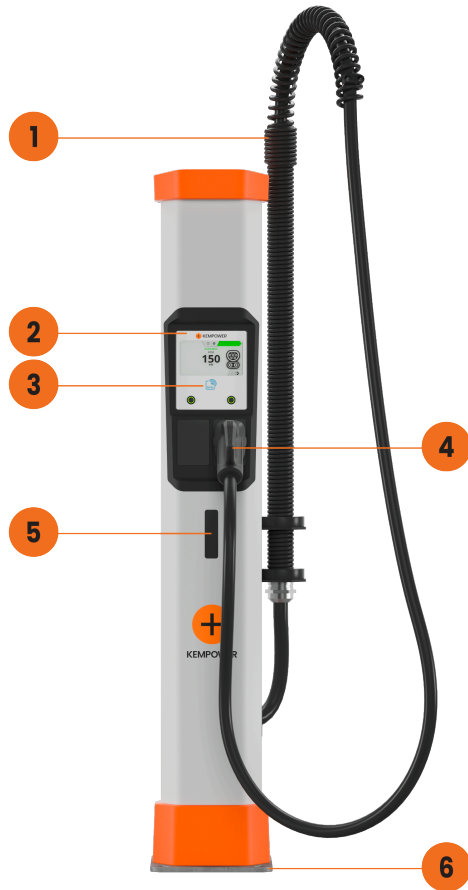


Maximum charging power

Up to **400 kW**

Number of Satellites in the system

1-8



- 1 Charging cable support system
- 2 7" touch screen display
- 3 RFID reader
- 4 Vehicle connector
- 5 Energy meter window
- 6 Mounting flange



Advanced cable support system for premium user experience



Easy-to-use, intuitive user menu on a 7" touch screen display



On-screen QR code for following the charging status on your mobile phone



Kempower advanced charging Satellite system with up to 8 simultaneous charging outputs



Cabling distance between the Power Unit and Satellites up to 80 meters



Advanced charging control and customization with Kempower ChargeEye

Product code interpretation

ST•C•5•C•S•M•H•C0 Kempower Satellite Version 2 • 1 x CCS2 connector • 5 m charging cable • 200 A cable current • standard user interface • DC energy meter • Eichrecht certification • unbranded

Item	Code	Description
Product type	ST	Kempower Satellite Version 2
Vehicle connector type	C	CCS2
	CC	2 x CCS2
Charging cable length	5	5 m ^[1]
	7	7 m
Nominal charging cable current	B	150 A (CCS2)
	C	200 A (CCS2)
	E	300 A/500 A ^[2] (CCS2)
User interface and payment	S	Standard user interface
	O	Payter Apollo: Contactless payment with online PIN entry and verification
	W	Worldline Valina EP2/IP: Contactless payment with online PIN entry and verification, chip and magnetic stripe reader
Meter	M	Eichrecht-approved DC energy meter
Equipment stop	E	Equipment stop button
Certification	H	Eichrecht-certified product
Branding options	C0	Unbranded: roof and base in black color, no stickers
	Cn	Branded: number (n) indicates branding, e.g. C8

[1] Not available for 150 A cable.

[2] 300 A with dual charging outputs (Satellite with two cables). Up to 500 A (max. 10 min) in +25 °C with a single charging output (Satellite with single cable). Requires at least 3 output terminals connected together at the Power Unit, and a specific hardware configuration.

Product codes

Product code	Charging outputs	Vehicle connector	Simul. charging with 2 outputs	Max. charging current	Charging power at 400 VDC	Charging power at 800 VDC	Weight
Product codes with 5 m charging cables							
ST•C•5C•S•M•H	1	CCS2	N/A	200 A	80 kW	160 kW	76 kg
ST•C•5E•S•M•H	1	CCS2	N/A	300 A/ 500 A ^[1]	120 kW/ 200 kW	240 kW/ 400 kW	109 kg
ST•CC•5C•S•M•H	2	2 x CCS2	Yes	2 x 200 A	2 x 80 kW	2 x 160 kW	109 kg
ST•CC•5E•S•M•H	2	2 x CCS2	Yes	2 x 300 A	2 x 120 kW	2 x 240 kW	174 kg

[1] 500 A (max. 10 min) in +25 °C with a single charging output (only single cable satellite). Requires at least 3 output terminals connected together at the Power Unit, and a specific hardware configuration.

Note: Versions with 7 m charging cables: Change 5 to 7 in the product code, e.g. from STC5CS to STC7CS. Add 4 kg to the weight.

Note: Versions with a payment terminal: Change S to O or W in the product code, e.g. STC5CSMH to STC5COMH or STC5CWMH.

General electrical specifications

DC charging connector options	CCS2 IEC 62196-3
Voltage	Max. 1000 VDC
Standby power	25 W

Environmental specifications

Operating temperature	-30...+50 °C
Derating	Charging cable pin temperature limits charging current. For other limiting variables, see the applicable Power Unit datasheet.
Storage temperature	-40...+60 °C
Ambient air humidity	< 95% relative humidity
Enclosure rating	IP54, IK10 (IK09 for the payment terminal)

Connections and protocols

Ethernet	RJ45, IEEE 802.3/802.3u
OCPP	1.6j/2.0.1
Connectivity	Kempower ChargeEye solution
CCS2	DIN 70121:2012, ISO 15118-1:2013
Authentication methods	RFID: ISO 14443A, ISO 15693, ISO 14443B (STM SRI512) Customer backend via OCPP Payment terminal AutoCharge ISO 15118-2 Plug & Charge

Electrical connections (between Satellite and Power Unit)

DC power cable per vehicle connector (terminals 2 x 150 mm ² per pole)
Control power cable (24 VDC)
Communications cable (RJ45)

Electrical protections

Vehicle connector pin temperature monitoring
--

Compliance to standards

IEC 61851-1
IEC 61851-23
IEC 61851-21-2

Options

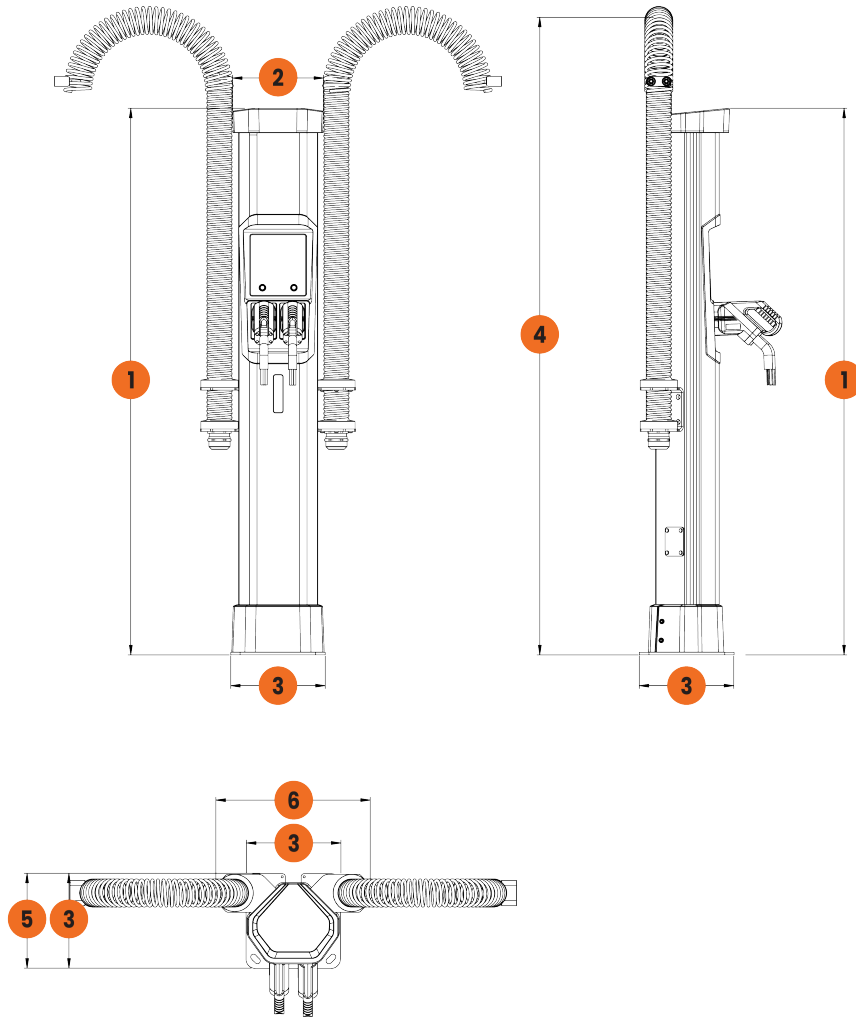
Payment terminal	Payter Apollo: Contactless payment with online PIN entry and verification Worldline Valina EP2/IP: Contactless payment with online PIN entry and verification, chip and magnetic stripe reader
Equipment stop button	
Customized branding	Branding options, such as custom colors and stickers Contact Kempower for availability, pricing, and minimum order quantity

Mechanical dimensions

Size (W x H x D)

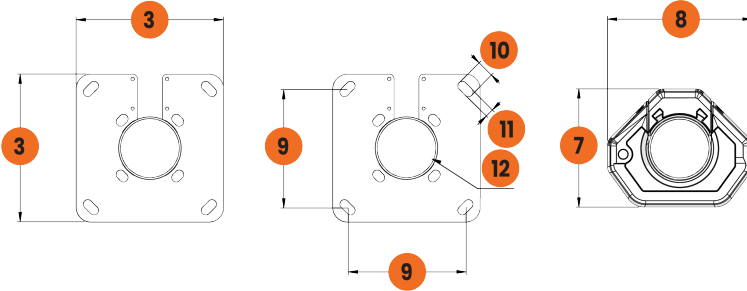
300 x 1738 x 300 mm

Satellite with two DC charging outputs

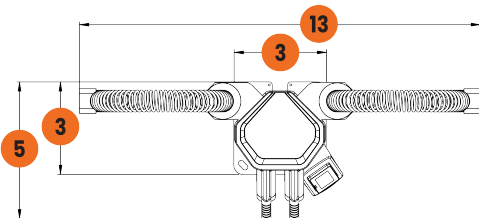
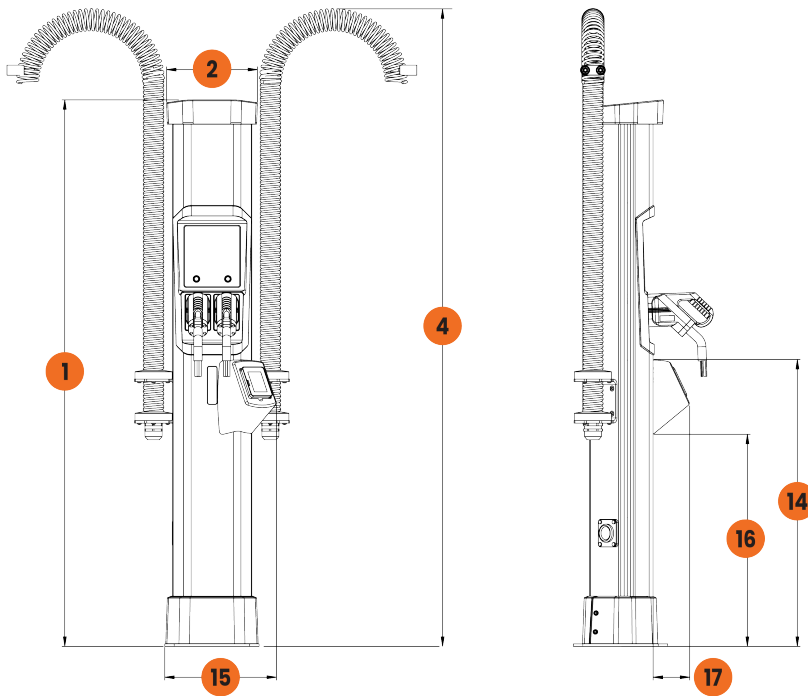


Footprint of standard installation flange

Footprint with mounting tube



Satellite with two DC charging outputs and payment terminal



1	1738 mm	5	444 mm	9	240 mm	13	1420 mm	17	115 mm
2	289 mm	6	493 mm	10	36 mm	14	911 mm		
3	300 mm	7	239 mm	11	18 mm	15	354 mm		
4	2100...2400 mm	8	294 mm	12	120 mm	16	675 mm		